



(248) 545-4441  
info@jetsetspray.com  
http://jetsetspray.com

# JET-SET® MOD-1E

## SINGLE PUMP - ELECTRICALLY ACTIVATED



The MOD-1E JET-SET® spray system comes standard with our 5 Gallon stainless steel tank with sight gauge, reusable filter, and air regulator. This system includes one JET-SET 9100 stainless steel piston pump (0-5cc per stroke) with 5 outlets for spray nozzles. The 9100 pump is engaged using the electric solenoid to receive external signals for system activation. The MOD-1E comes standard 110v unless specified.

The electric solenoid in our MOD-1E is wired into your machine which allows lubrication to be sprayed at the beginning of each machine cycle.

The MOD-1E comes standard with a 9100 pump that will give you millions of cycles of maintenance free operation. All JET-SET® pumps provide easy volume regulation by turning the nuraled regulator knob found on top of the 9100 pump. The 9100 pump can be regulated from 0 to 5 cc per cycle.

The MOD-1E can also be equipped with a 1401 timer, 1471 counter, or both. With the 1471 you can count a predetermined number of press cycles before lubricant is required. The 1401 can be set to activate when you want per cycle, including multiple times per cycle.



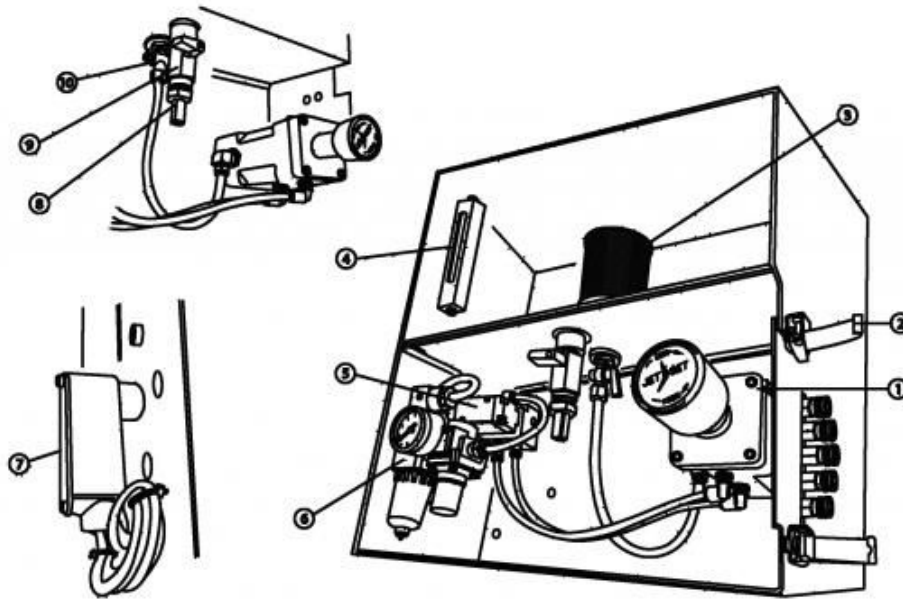
Established 1963  
jetsetspray.com



(248) 545-4441  
info@jetsetspray.com  
http://jetsetspray.com

# JET-SET® MOD-1E

## SINGLE PUMP - ELECTRICALLY ACTIVATED



- |                                       |                           |
|---------------------------------------|---------------------------|
| 1) 9100: Large Stainless Steel Pump   | 6) 1501: Air Regulator    |
| 2) 810 : Draw Latch                   | 7) 837: Electrical Elbow  |
| 3) 620: Stainless Steel Filter        | 8) 725 : Tube Stem        |
| 4) 525: Sight Glass W/Fittings        | 9) 724-L: Male Ball Valve |
| 5) 1400-N-NU: Solenoid Valve and Base | 10) 505-A: Brass Stopcock |



Established 1963  
jetsetspray.com