



(248) 545-4441
info@jetsetspray.com
<http://jetsetspray.com>

JET-SET® 9100-Pump

STAINLESS STEEL PUMP



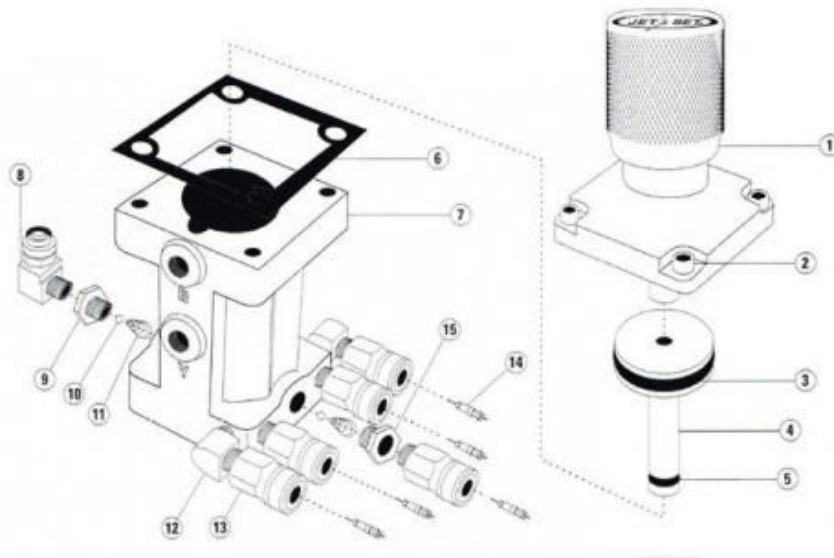
All JET-SET® Module Systems have the new stainless steel JET-SET® pump designed for long life cycles. Utilizing stainless components and viton seals. The #9100 pump will give millions of cycles of maintenance-free operation. All JET-SET® pumps provide easy volume regulation by turning the large knob on top of the pump. You can regulate the output of fluid from 0 to 5 cc per cycle. One to three pumps may be mounted in the system. All pumps have five quick disconnect fittings for nozzles.



Established 1963
jetsetspray.com

JET-SET® 9100-Pump

STAINLESS STEEL PUMP



Individual part numbers:

- | | |
|---|--|
| 1) 9114-A: End Cap Assembly | 13) 802: Midget Socket |
| 2) 9121: Socket Cap Screw | 14) 802-V: Valve Core |
| 3) 9112*: Viton O-Ring | 15) 9104-0: Outlet Ball Check |
| 4) 9111: Stainless Steel Piston | 16) 9118*: Viton O-Ring |
| 5) 9108*: Viton O-Ring | 17) *Seal Kit available : All parts with** are included in a replacement 9100 Seal Kit |
| 6) 9113*: Gasket | |
| 7) 9101: Stainless Steel Pump Body | |
| 8) 897: Elbow Connector | |
| 9) 9104-I: Stainless Steel Inlet Ball Check | |
| 10) 9102*: Stainless Steel Check Ball | |
| 11) 9103: Stainless Steel Check Spring | |
| 12) 811: Brass Elbow | |