



(248) 545-4441
info@jetsetspray.com
<http://jetsetspray.com>

JET-SET® 7100-PUMP

JET PACK 7100 PUMP



JET-SET® #7100 Jet Pack Pump offers the ability to use an individual pump or pumps for each lubrication point. Designed for low volume output, Jet Pack 7100 Pumps are ideal for those small jobs that require a precise amount of lubricant. Manifold mounted and constructed of all stainless steel components, Jet Pack 7100 Pumps offer long life cycle expectancy at cycle rates of 600 per minute. Jet-Set Jet Pack 7100 Pump is compatible with a range of metalworking fluids. Jet-Set #7100 Jet Pack Pump is self-priming and can be adjusted to deliver from 0 to 1 cc of fluid per cycle.



Established 1963
jetsetspray.com

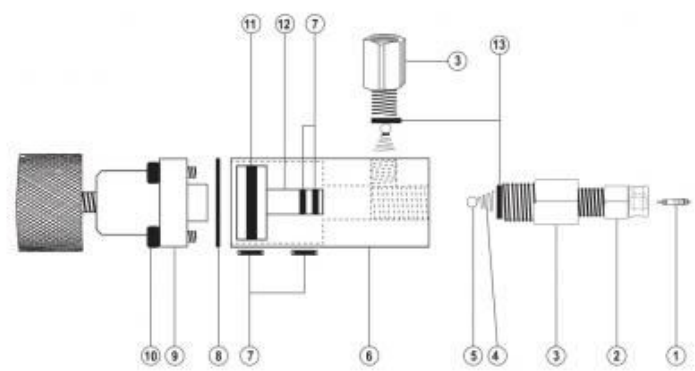


(248) 545-4441
info@jetsetspray.com
http://jetsetspray.com

JET-SET® 7100-SK

SEAL KIT FOR 7100 PUMP

New Style Pump



- | | | |
|-----|--------|----------------------------------|
| 1. | 802V | VALVE CORE |
| 2. | 802 | MIDGET SOCKET |
| 3. | 7104 | SEAT AND SPRING HOLDER(2) |
| 4. | 9103 | STAINLESS STEEL SPRING (2) |
| 5. | 9102 | STAINLESS STEEL BALL (2) |
| 6. | 7101 | STAINLESS STEEL PUMP BODY GASKET |
| 7. | 7108 | VITON O-RINGS (4) |
| 8. | 7113 | GASKET |
| 9. | 7114 A | END CAP ASSEMBLY |
| 10. | 7121 | MOUNTING SCREW (4) |
| 11. | 7112 | VITON O-RING |
| 12. | 7111 | STAINLESS STEEL PISTON |
| 13. | 9118 | VITON O-RINGS (2) |



Established 1963
jetsetspray.com

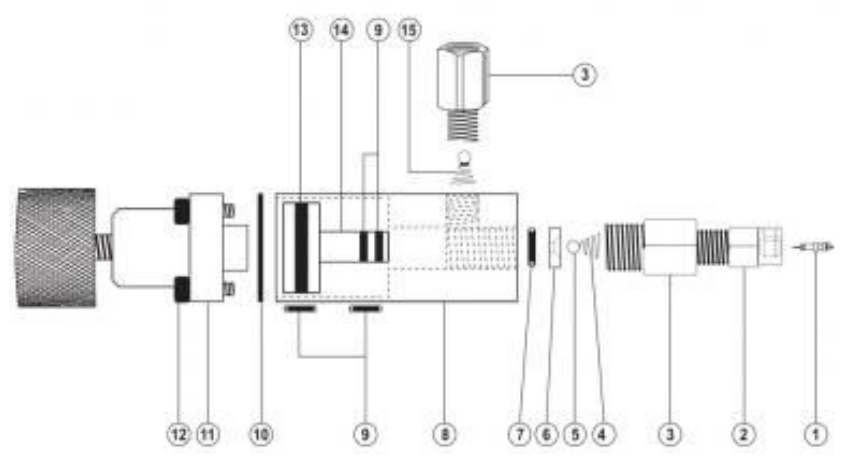


(248) 545-4441
info@jetsetspray.com
http://jetsetspray.com

JET-SET® 7100-SK

SEAL KIT FOR 7100 PUMP OLD STYLE

Old Style Pump



- | | | |
|-----|--------|----------------------------------|
| 1. | 802V | VALVE CORE |
| 2. | 802 | MIDGET SOCKET |
| 3. | 7104 | SEAT AND SPRING HOLDER(2) |
| 4. | 9103 | STAINLESS STEEL SPRING (2) |
| 5. | 9102 | STAINLESS STEEL BALL (2) |
| 6. | 7106 | STAINLESS STEEL SEAT WASHER |
| 7. | 7105 | VITON O-RING |
| 8. | 7101 | STAINLESS STEEL PUMP BODY GASKET |
| 9. | 7108 | VITON O-RINGS (4) |
| 10. | 7113 | GASKET |
| 11. | 7114 A | END CAP ASSEMBLY |
| 12. | 7121 | MOUNTING SCREW (4) |
| 13. | 7112 | VITON O-RING |
| 14. | 7111 | STAINLESS STEEL PISTON |
| 15. | 9103-S | SHORT STAINLESS STEEL SPRING |



Established 1963
jetsetspray.com



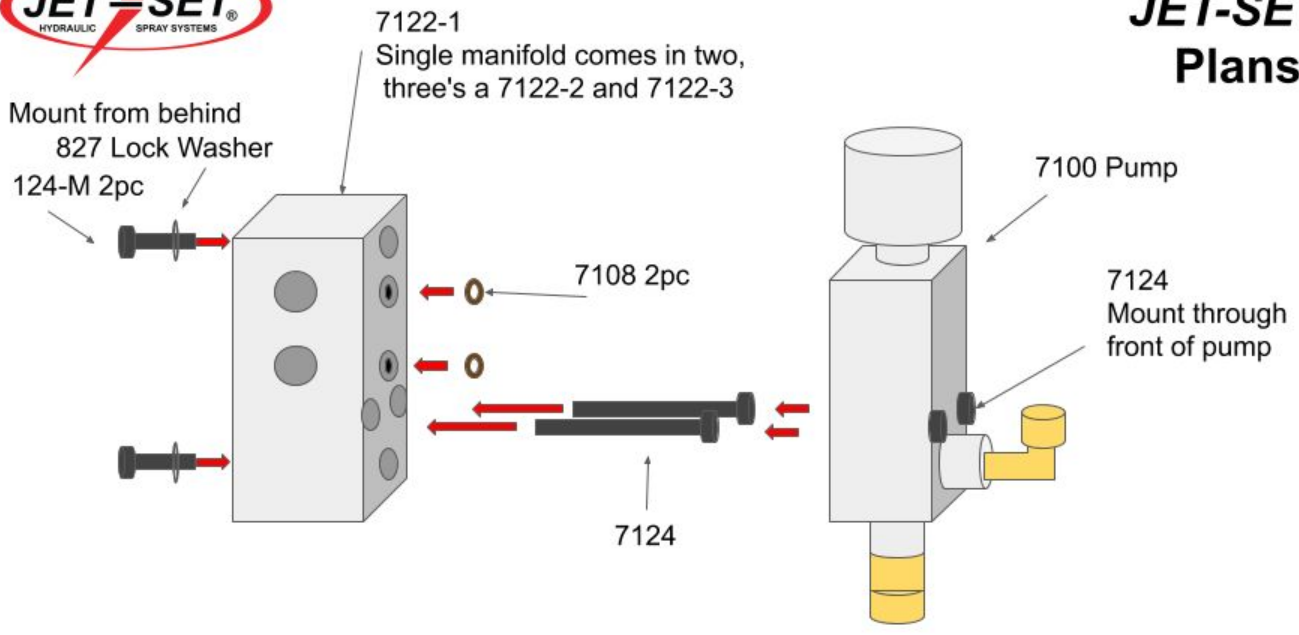
(248) 545-4441
info@jetsetspray.com
http://jetsetspray.com

JET-SET® 7100-PUMP

JET PACK 7100 PUMP MANIFOLD ASSEMBLY



JET-SET® Plans



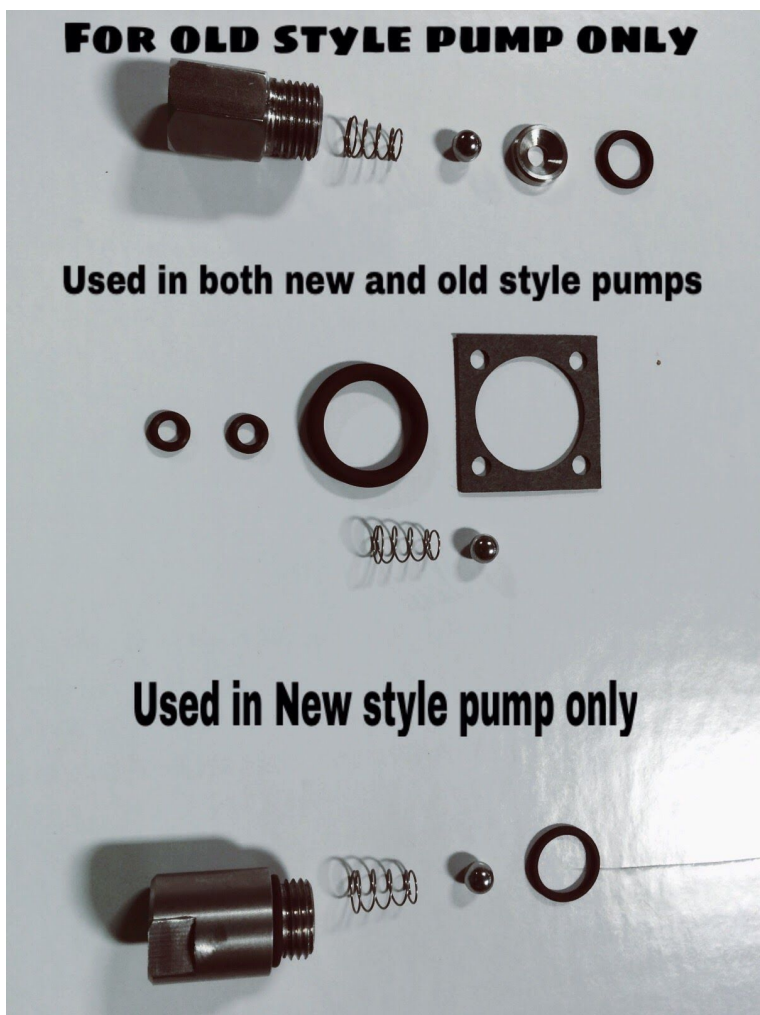
Established 1963
jetsetspray.com



(248) 545-4441
info@jetsetspray.com
http://jetsetspray.com

JET-SET® 7100-PUMP

JET PACK 7100 PUMP SEAL KITS



Established 1963
jetsetspray.com