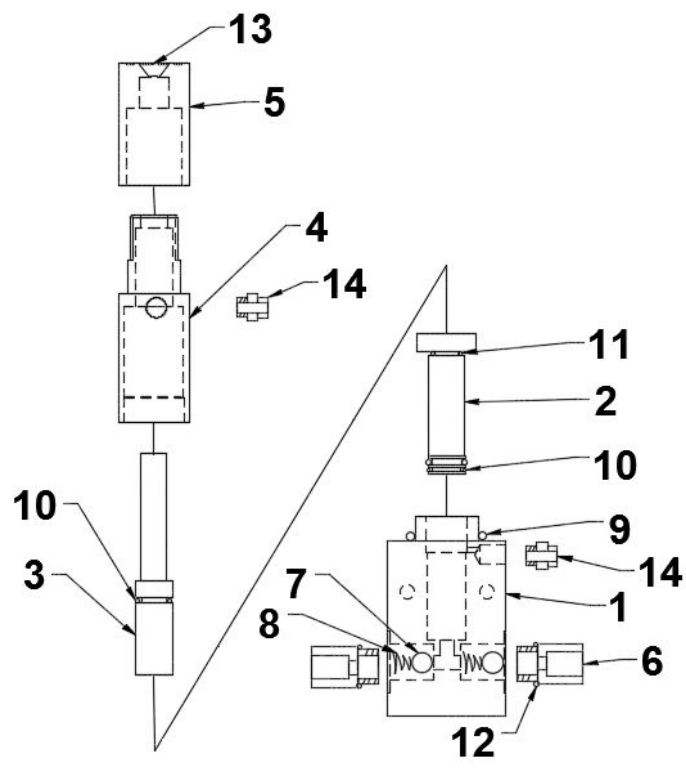




(248) 545-4441
info@jetsetspray.com
http://jetsetspray.com

JET-SET® 5100-SK

SEAL KIT FOR 5100 PUMP



- | | |
|----------|---------------------------|
| 6) 5104 | SPRING HOLDER FITTING (2) |
| 7) 9102 | SS CHECK BALL (2) |
| 8) 9103 | SS SPRING (2) |
| 9) 5119 | VITON O-RING (1) |
| 10) 9108 | VITON O-RING (2) |
| 11) 7112 | VITON O-RING (1) |
| 12) 9118 | O-RING FOR 9104 SEAT (2) |



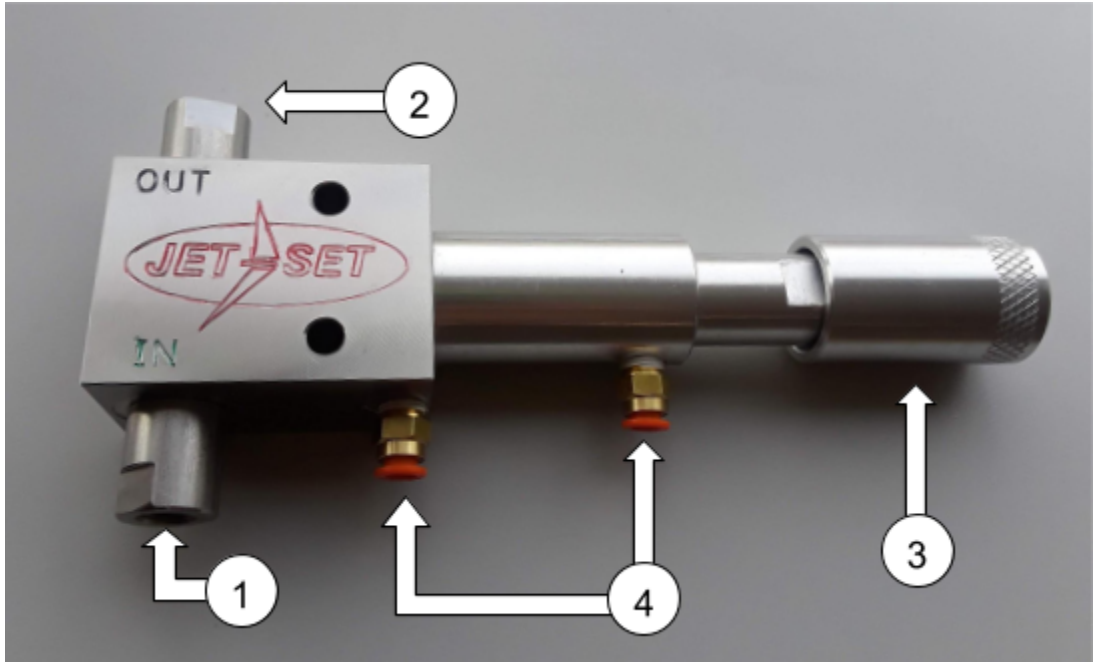
Established 1963
jetsetspray.com



(248) 545-4441
info@jetsetspray.com
http://jetsetspray.com

JET-SET® 5100-SK

SEAL KIT FOR 5100 PUMP



5100 S.S. Piston Pump Basics

- 1) Fluid Intake 1/4 " NPT S.S. ball-check
- 2) Fluid Outlet 1/4 " NPT S.S. ball-check
- 3) O-5cc Volume control
- 4) Air Inlet 1/8 " NPT x 1/4 " tube. Incoming air pressure recommended between 30-100 psi

PRIMING PROCEDURE:

- 1) Make sure volume control knob is turned to be completely open
- 2) Connect incoming air lines
- 3) Connect inlet and outlet tubing to 1/8 " NPT ports.
- 4) Begin priming process @40psi
- 5) Adjust accordingly once the pump is prime and you're ready to go.



Established 1963
jetsetspray.com



(248) 545-4441
info@jetsetspray.com
<http://jetsetspray.com>

JET-SET® 5100-SK

SEAL KIT FOR 5100 PUMP



Established 1963
jetsetspray.com