



(248) 545-4441  
info@jetsetspray.com  
http://jetsetspray.com

# JET-SET® 5100-PUMP

## 5100 PUMP



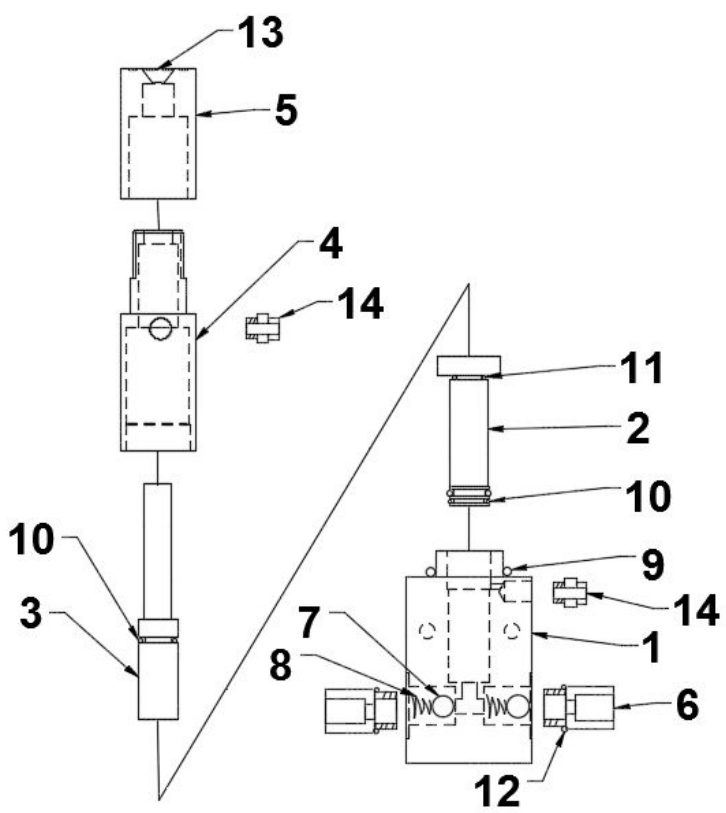
**JET-SET® 5100 Pump offers the ability to use an individual pump or pumps for each lubrication point. Designed for high volume output, JET-SET® 5100 Pumps are ideal for those big jobs that require a precise amount of lubricant. Constructed of stainless steel, brass, and aluminum components the 5100 Pumps offer long life cycle expectancy at cycle rates of 60 per minute. JET-SET® 5100 Pump is compatible with a range of metalworking fluids. JET-SET® 5100 Pump is self-priming and can be adjusted to deliver from 0 to 5 cc of fluid per cycle.**



Established 1963  
jetsetspray.com

# JET-SET® 5100-PUMP

## 5100 PUMP

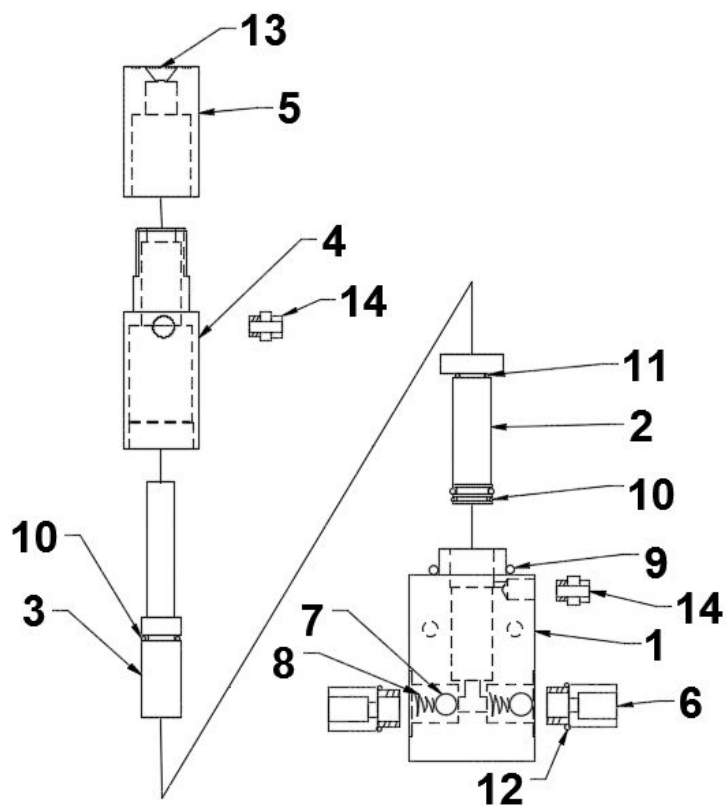


- |         |                           |           |                          |
|---------|---------------------------|-----------|--------------------------|
| 1. 5101 | PUMP BODY                 | 8. 9103   | SS SPRING(2)             |
| 2. 5111 | PISTON FOR 5100 PUMP      | 9. 5119   | VITON O-RING             |
| 3. 5115 | ADJUSTMENT SCREW          | 10. 9108  | VITON O-RING (2)         |
| 4. 5114 | CAP FOR 5100 PUMP         | 11. 7112  | VITON O-RING             |
| 5. 5117 | KNOB                      | 12. 9118  | O-RING FOR 9104 SEAT (2) |
| 6. 5104 | SPRING HOLDER FITTING (2) | 13. 9119  | FLAT HEAD SCREW          |
| 7. 9102 | SS CHECK BALL(2)          | 14. 820-P | 1/8 NPT MALE 1/4 TUBE    |

15.

# JET-SET® 5100-SK

## SEAL KIT FOR 5100 PUMP



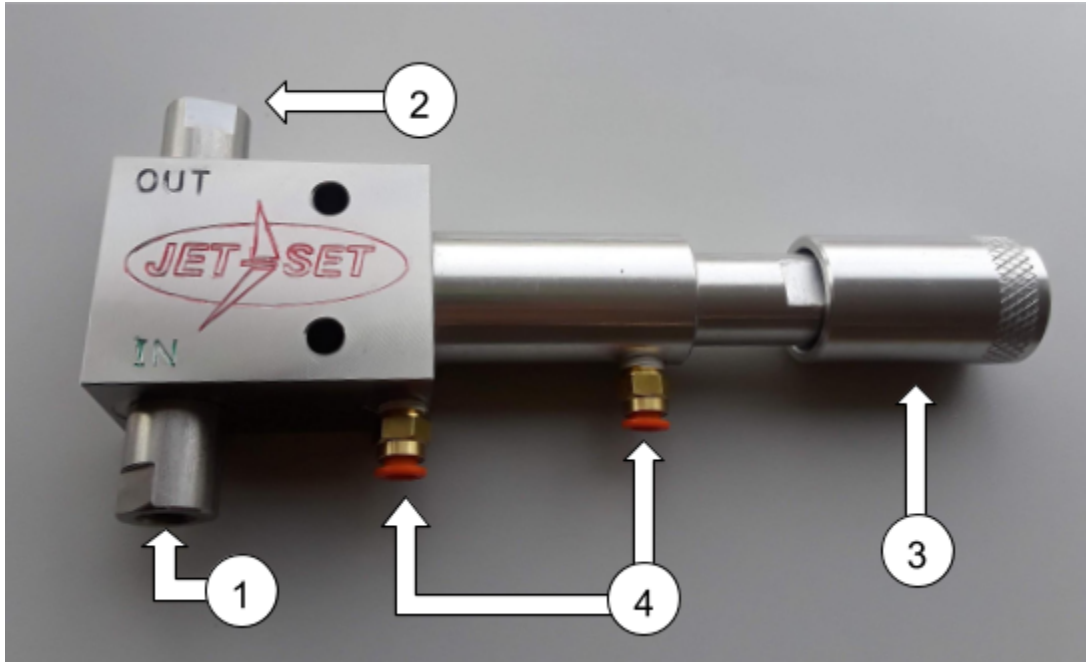
- |          |                           |
|----------|---------------------------|
| 6) 5104  | SPRING HOLDER FITTING (1) |
| 7) 9102  | SS CHECK BALL (2)         |
| 8) 9103  | SS SPRING (2)             |
| 9) 5119  | VITRON O-RING (1)         |
| 10) 9108 | VITON O-RING (2)          |
| 11) 7112 | VITON O-RING (1)          |
| 12) 9118 | O-RING FOR 9104 SEAT (2)  |



(248) 545-4441  
info@jetsetspray.com  
http://jetsetspray.com

# JET-SET® 5100-SK

## SEAL KIT FOR 5100 PUMP



### 5100 S.S. Piston Pump Basics

- 1) Fluid Intake 1/4 " NPT S.S. ball-check
- 2) Fluid Outlet 1/4 " NPT S.S. ball-check
- 3) O-5cc Volume control
- 4) Air Inlet 1/8 " NPT x 1/4 " tube. Incoming air pressure recommended between 30-100 psi

### PRIMING PROCEDURE:

- 1) Make sure volume control knob is turned to be completely open
- 2) Connect incoming air lines
- 3) Connect inlet and outlet tubing to 1/8 " NPT ports.
- 4) Begin priming process @40psi
- 5) Adjust accordingly once the pump is prime and you're ready to go.



Established 1963  
jetsetspray.com