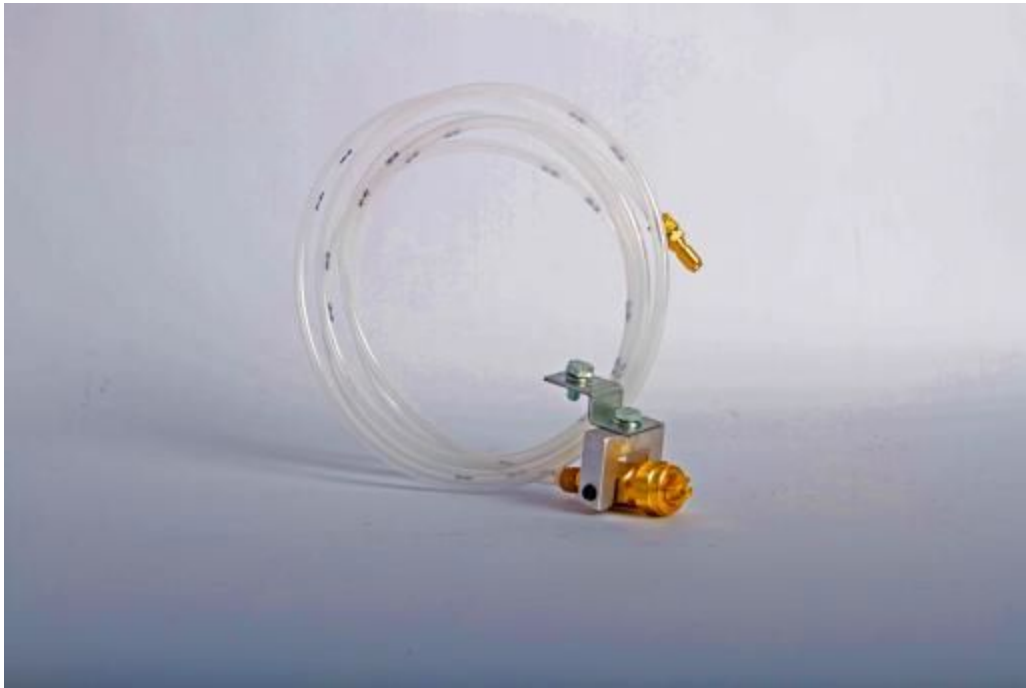




(248) 545-4441
info@jetsetspray.com
<http://jetsetspray.com>

JET-SET® 1100-O

SWIVEL NOZZLE / LESS MAGNET



JET-SET® Swivel nozzle holders are ruggedly built to withstand all normal shop punishment. The unique design of the swivel yoke allows it to be aimed at the exact location to be lubricated. Nozzles can be purchased with our 1200 Stay-Put magnets or they can be attached directly to the die or press. All nozzles have the quick plug-in feature. Just plug in the nozzle and the system is ready to go.



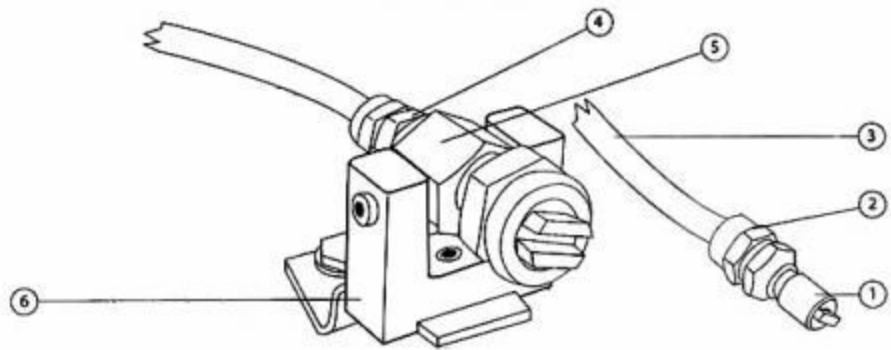
Established 1963
jetsetspray.com



(248) 545-4441
info@jetsetspray.com
http://jetsetspray.com

JET-SET® 1100-O

SWIVEL NOZZLE / LESS MAGNET



Individual part numbers:

- | | |
|--|-------------------------------|
| 1) 801: Midget Plug | 4) 820: Brass Connector |
| 2) 823: Nut and Sleeve | 5) 900: Nozzle Assembly |
| 3) 803-HD: 8' High Pressure Nylon Tubing | 6) 1102: Swivel Yoke Assembly |



Established 1963
jetsetspray.com