

# JP-3E

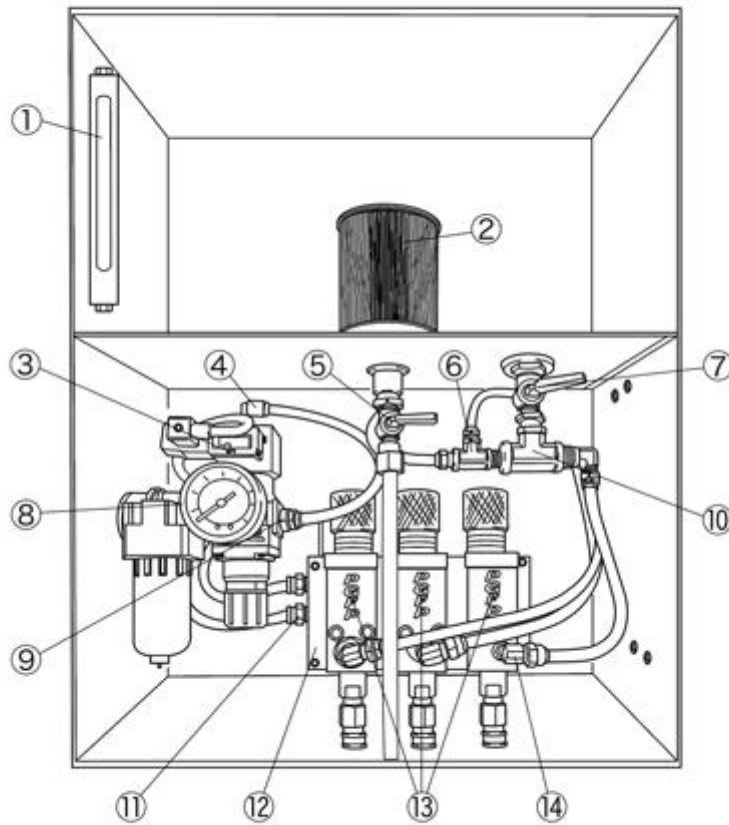
## 2.5 GALLON 3 PUMP 1 SOLENOID ELECTRICALLY ACTIVATED



The JET-SET® Jet-Pack module provides you with a complete automatic airless spray system. These systems come with up to four 7100-pumps and can be activated together or individually. For individual use, the 7100-pumps can come on its own manifold with its own electrically activated solenoid giving you the option of when and where to fire each pump. The JP-3E comes with standard 110v unless specified otherwise.

# JP-3E

## 2.5 GALLON 3 PUMP 1 SOLENOID ELECTRICALLY ACTIVATED



### Individual part numbers:

- |  |   |
|--|---|
| 1) 525: Sight Glass with Fittings      | 9) 813-P: 1/4" Tube x 1/4 NPT Push In   |
| 2) 620: Stainless Steel Filter         | 10) 505-E: 1/4 NPT Tee                  |
| 3) 1400-JP: JP Solenoid                | 11) 820-P: 1/4" Tube x 1/8" NPT Push In |
| 4) 834-P: 1/8"NPT x 1/4" Push-In Elbow | 12) 7100: 7100 Stainless Steel Pump     |
| 5) 505-A: Brass Stopcock               | 13) 7122-3: 3 Pump Manifold             |
| 6) 860: 1/4"x1/4" Run Tee              | 14) 834: Male Elbow                     |
| 7) 505-A: Brass Shut Off               |   |
| 8) 1501: Air Regulator Assembly        |   |