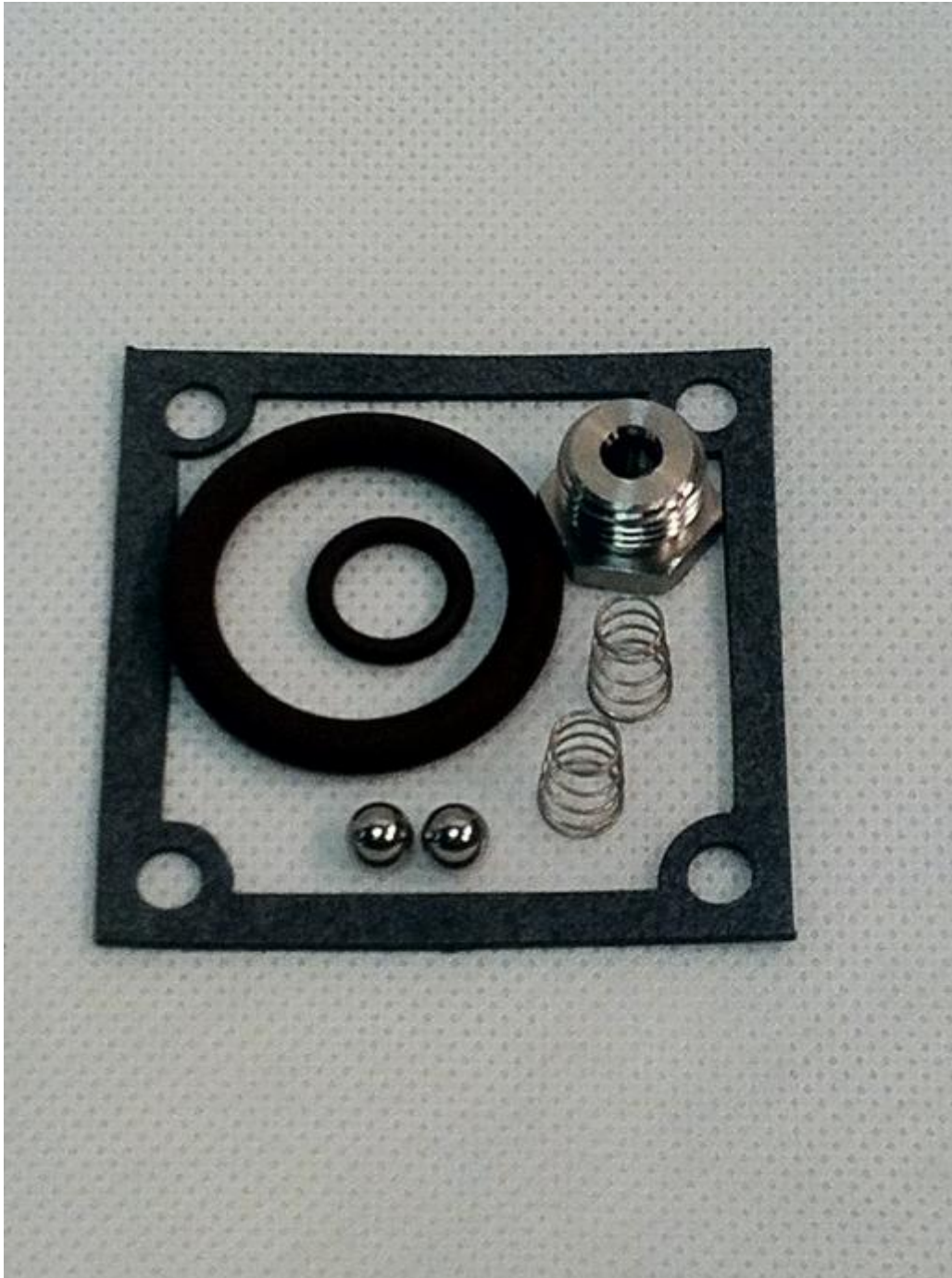


9100-SK

SEAL KIT FOR 9100 PUMP

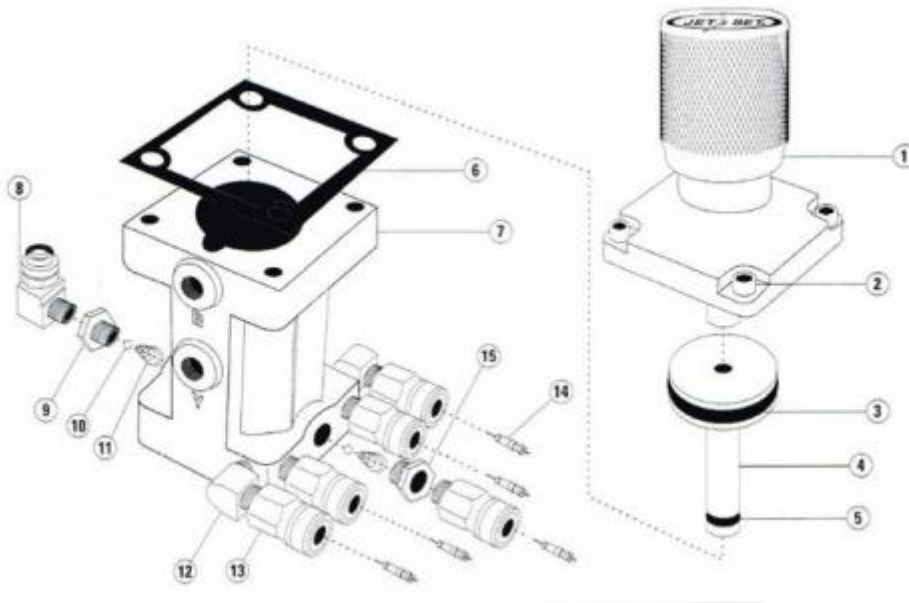


The 9100 Seal Kit will have all your needed fittings, seals, and o-rings to repair your 9100 pump. With one on hand you'll have little to no down time. Simply Take out your 9100 Seal Kit, replace your parts, and you'll be back up and running in no time! Each 9100-SK comes standard with the following

parts.

9100-SK

SEAL KIT FOR 9100 PUMP



Individual part numbers:

- 2-) 9102: Stainless Steel Inlet Ball
- 2-) 9103: Stainless Steel Check Spring
- 1-) 9104-I: Stainless Steel Inlet Ballcheck
- 2-) 9108: Viton O-Ring (Small)
- 1-) 9112: Viton O-Ring (Large)
- 1-) 9113: Gasket
- 2-) 9118: Viton O Ring (Extra Small)